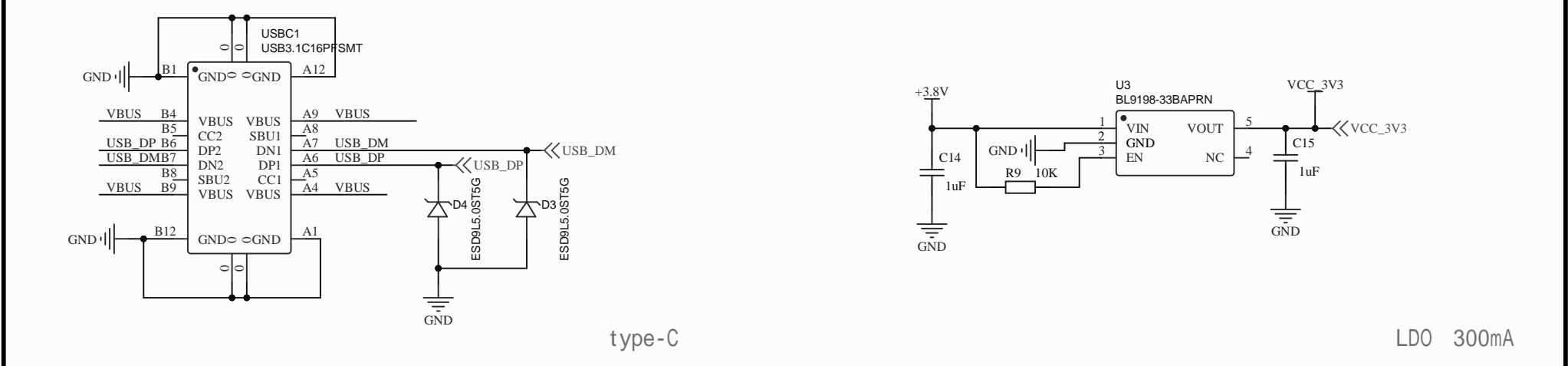
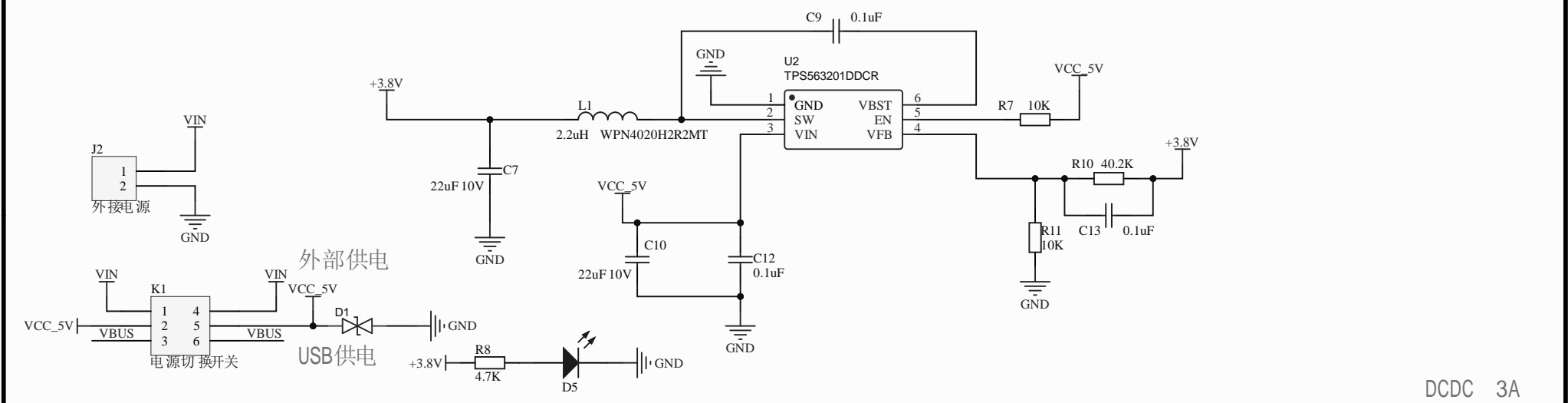
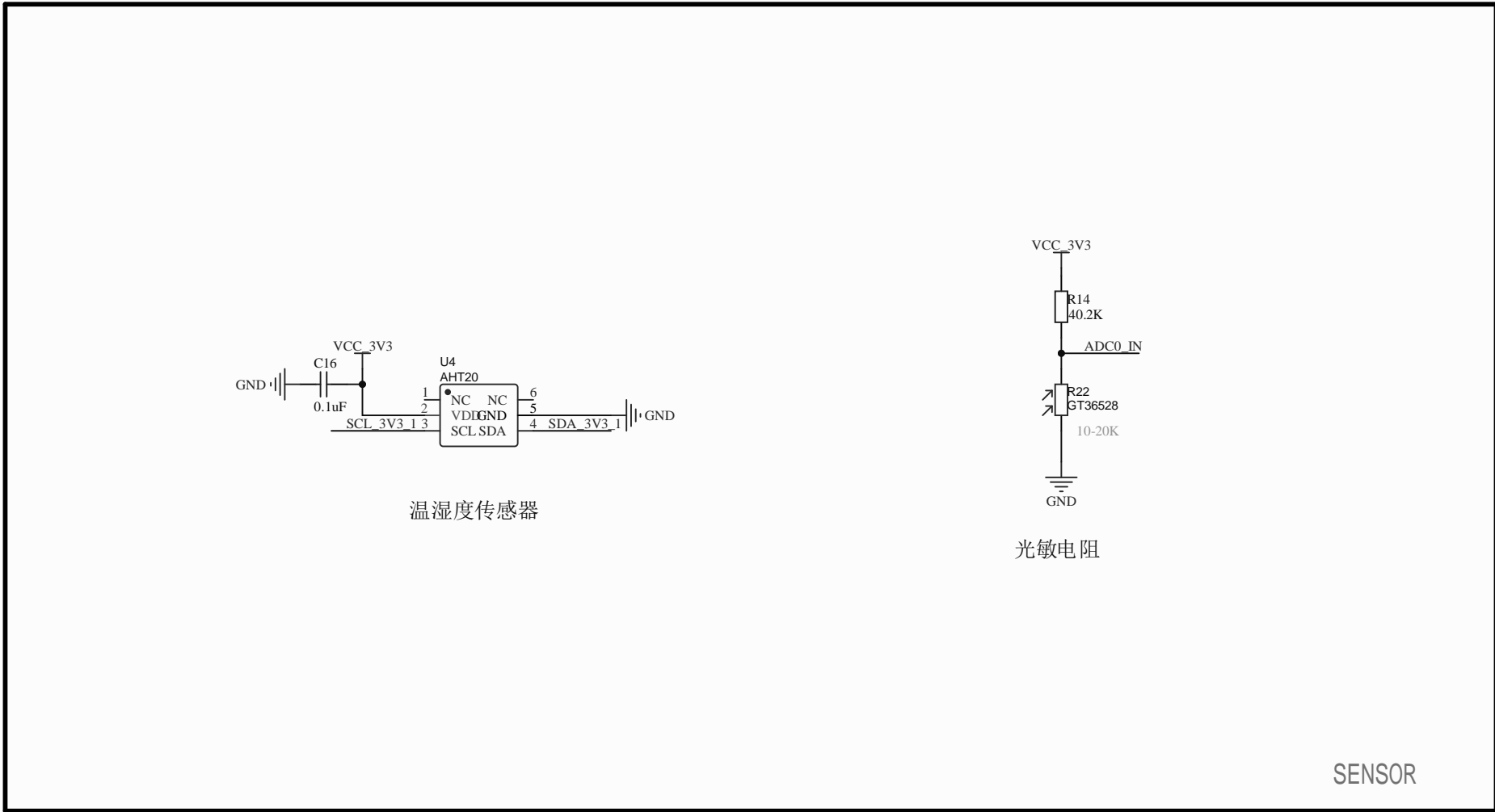


Title EC600X		
Size A2	Number	Revision
Date 3-31-2023	Sheet of G:\项目\1.1.1.1\EC600S_SchDoc	Drawn By:



Title		
Size	Number	Revision
A4		
Date:	3-31-2023	Sheet of
File:	G:\项目\...\2.POWER.SchDoc	Drawn By:

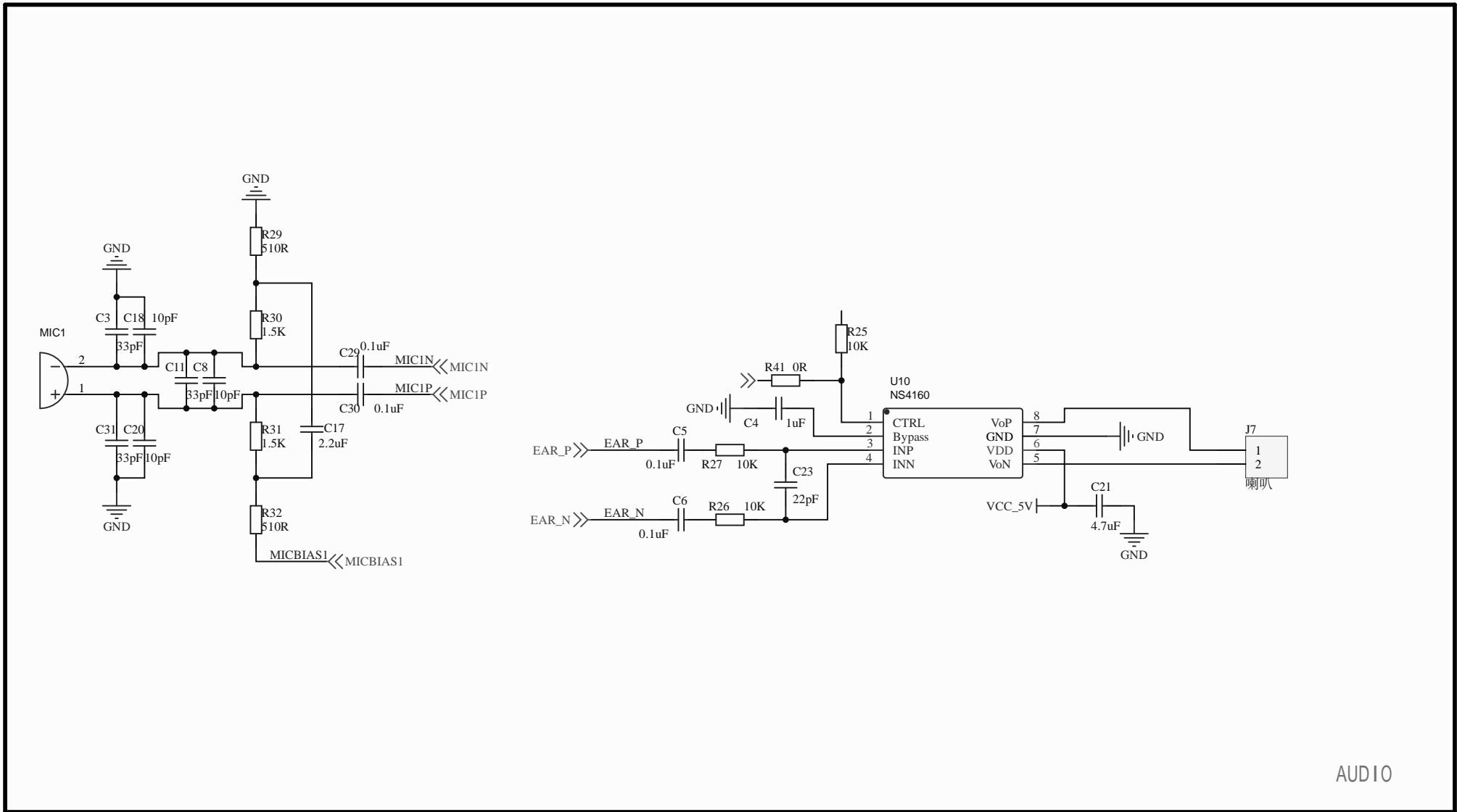


温湿度传感器

光敏电阻

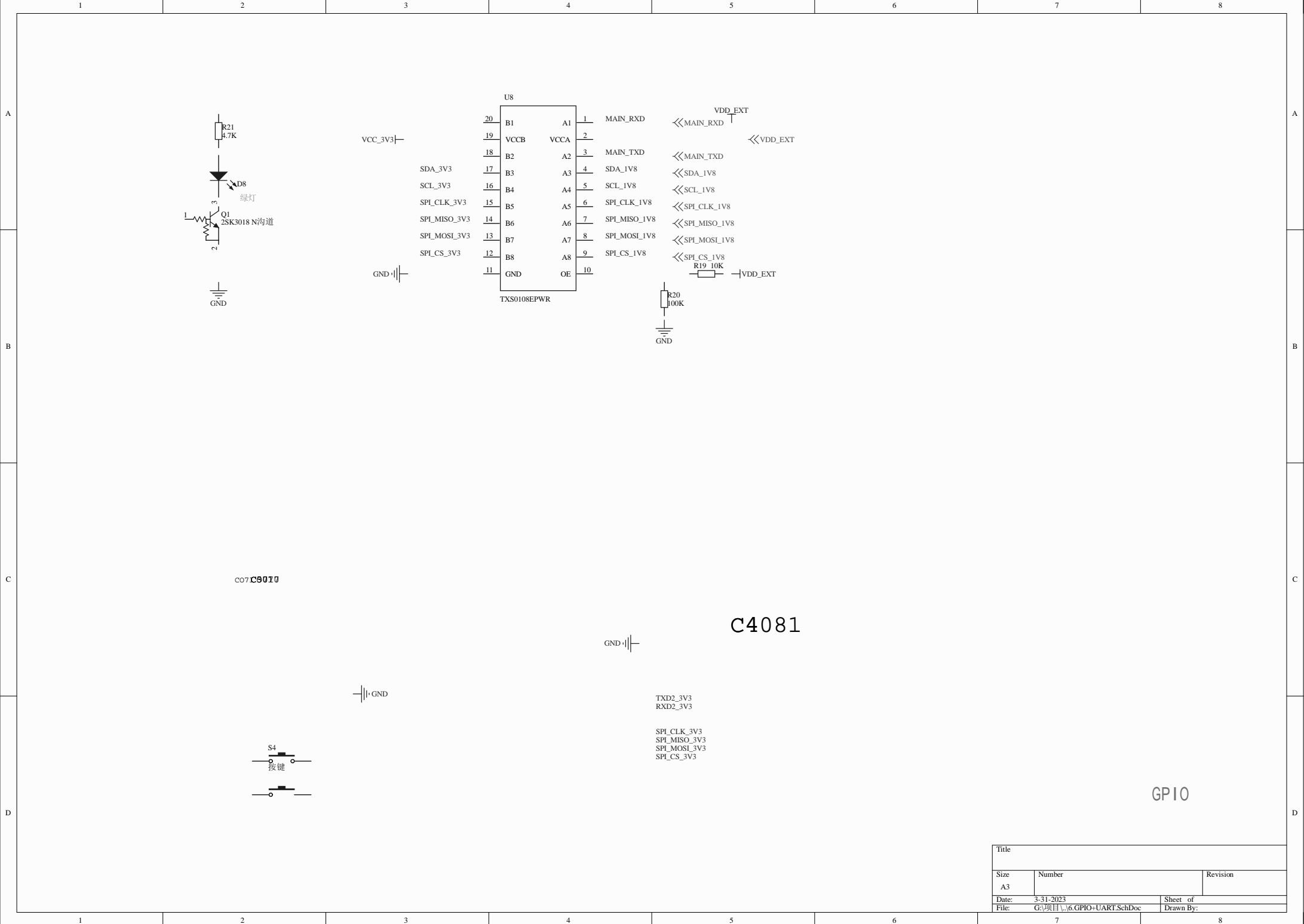
SENSOR

Title		
Size	Number	Revision
A4		
Date:	3-31-2023	Sheet of
File:	G:\项目\...\3.SENSOR+EEPROM.SchDoc Drawn By:	



AUDIO

Title		
Size	Number	Revision
A4		
Date:	3-31-2023	Sheet of
File:	G:\项目\...\5.AUDIO.SchDoc	Drawn By:

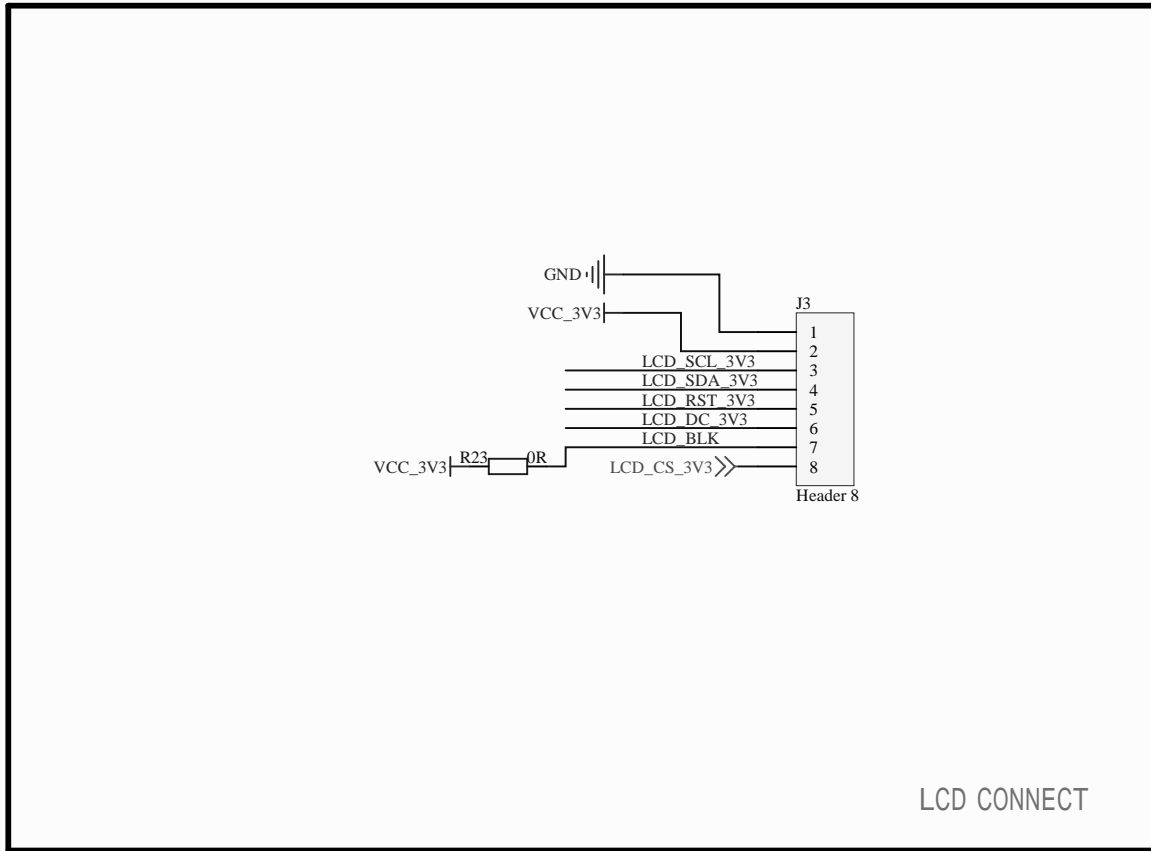


C07 **C0010**

C4081

GPIO

Title		
Size A3	Number	Revision
Date: 3-31-2023	Sheet of	
File: G:\项目\6.GPIO+UART.SchDoc	Drawn By:	



LCD CONNECT

Title		
Size A4	Number	Revision
Date:	3-31-2023	Sheet of
File:	G:\项目\...\7.LCM.SchDoc	Drawn By: